

imp® Rail Clamp

Significant improvements in holding capabilities

- High torque generated by the extra large comfort grip



imp® Rail Clamp Does It All



- Accepts a standard round or flat bar for vertical placement of bars and accessories
- Allows a horizontal extension flat bar to be utilized



Look for the **green**....our bright green color makes for easy location of this powerful clamp!

Cat. No. 409

imp® Innovative

Medical Products, Inc.

87 Spring Lane, PO Box 8028

Plainville, CT 06062

PH: (860) 793-0391 FAX: (860) 793-8975

Toll Free PH: 1-800-467-4944 FAX: 1-888-229-1452

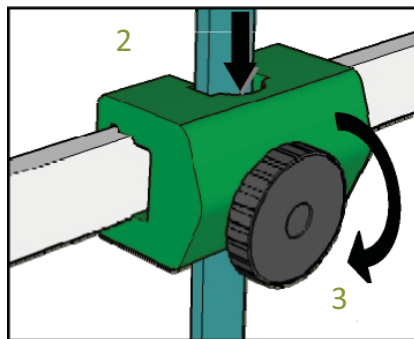
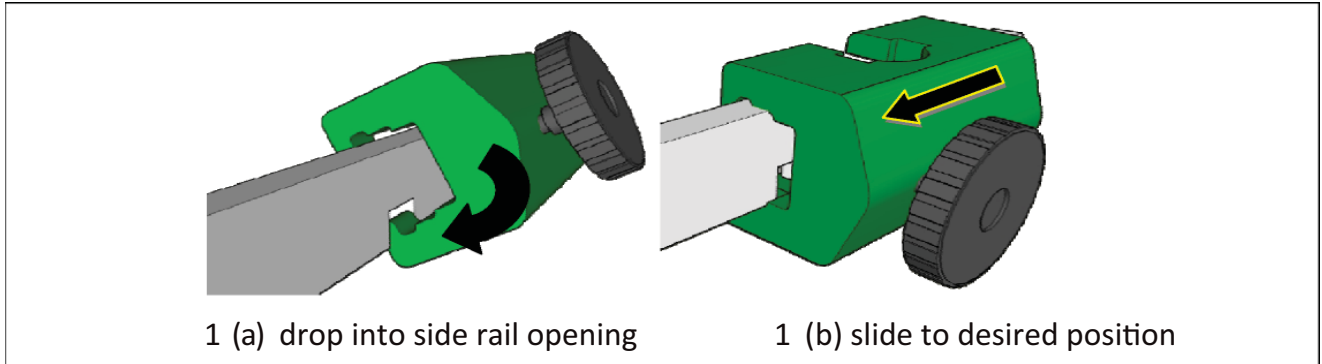
www.impmedical.com



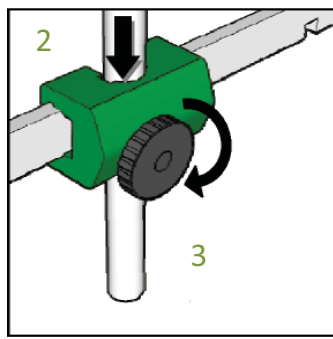
One Year Warranty

imp® Rail Clamp
Cat. No. 409
Instructions For Use

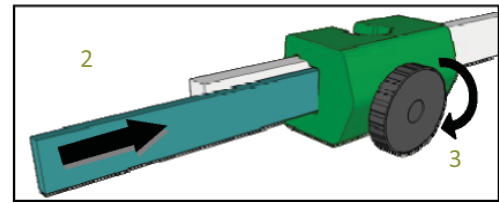
! CAUTION: Prior to using this or any other type of medical apparatus, it is recommended that you read the Instructions for Use and familiarize yourself with the product prior to application on a patient.



Flat Bar Vertical



Round Bar Vertical



Flat Bar Horizontal Extension

! ATTENTION: Do not install across different rail sections.

Cleaning and Maintenance:

1. After each use, clean the device.
2. Clean and disinfect using a Hospital Approved disinfecting/cleaning solution following the manufacturers recommendation for achieving low-level disinfection.
3. Read the cleaning product's directions and follow the instruction on the label.
4. Wipe device with a clean dry cloth
5. Make certain the product is dry prior to reinstallation to avoid damage

! WARNING: Damage may result if product is cleaned with a high concentration of bleach.

All modification, upgrades, or repairs must be performed by IMP
or warranty will be void **Call IMP for service 860-793-0391**