

NEW

imp

POSITIONERS

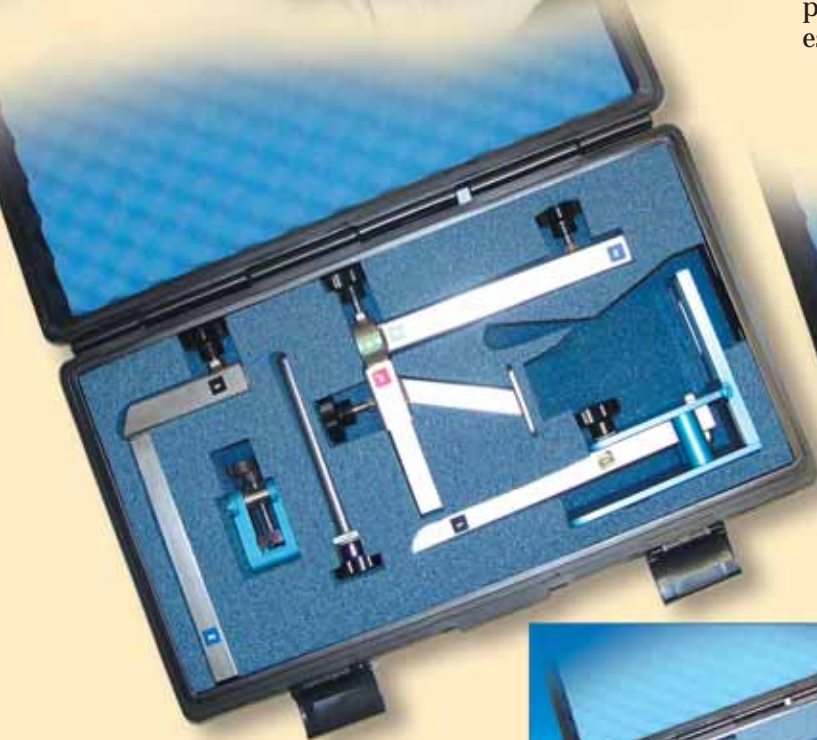


Making a Strong Case for the De Mayo Hip Positioner™

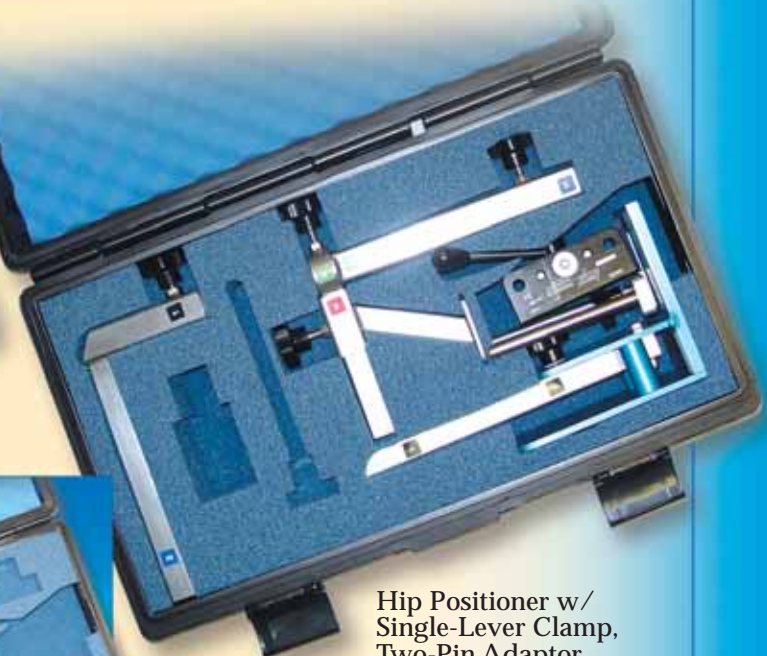
IMP now offers sturdy storage cases with the De Mayo Hip Positioner™

- Protect your capital equipment investment
- Custom foam liners keep components organized
- Storage cases provide quick access and easy handling for OR staff

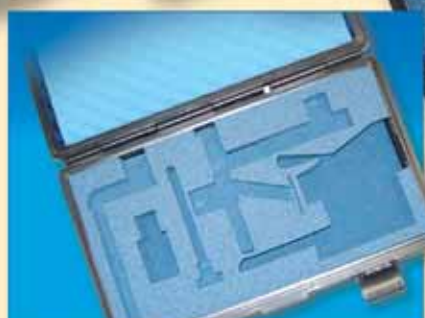
The De Mayo Hip Positioner™ simplifies stabilizing patients in the lateral decubitus position, and is especially valuable for bariatric patients.



Hip Positioner
w/Steri-Clamp
and Case
(Cat. #1101)



Hip Positioner w/
Single-Lever Clamp,
Two-Pin Adaptor
and Case
(Cat. #1101-SLC)



Storage Case only
(Cat. #1101-CASE)

To order or for more information
contact IMP at 800-467-4944.

**IMP... THE OPERATIVE WORD
IN PATIENT POSITIONING**

US Patent No. 6,820,621

De Mayo Hip Positioner is a trademark of
Innovative Medical Products, Inc.

4165 5M ©2005 Innovative Medical Products, Inc.
All rights reserved. 1/05

imp **Innovative**
Medical Products, Inc.

87 Spring Lane, Plainville, CT 06062

PH: 860-793-0391 FAX: 860-793-8975

Toll Free: PH: 800-467-4944 FAX: 888-229-1452

www.impmedical.com

Email: info@impmedical.com